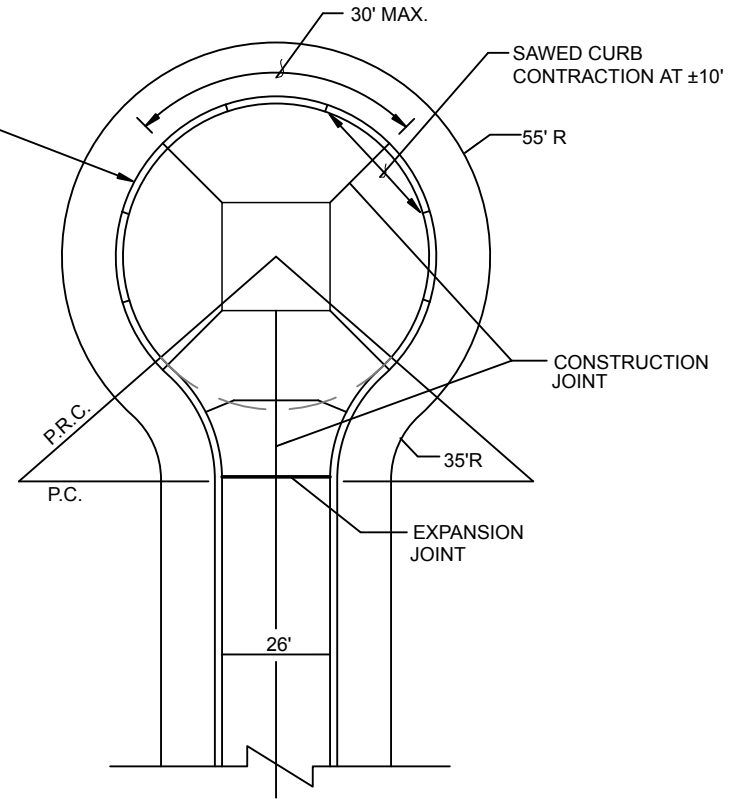
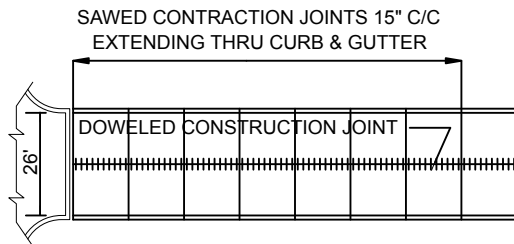


STANDARD CUL-DE-SAC, 45'R
ISLAND CENTER



STANDARD CUL-DE-SAC, 45'R
OPEN CENTER



**PAVEMENT JOINT LAYOUT
AT INTERSECTION**

REVISION	BY	DATE	CONCRETE PAVEMENT JOINT PLAN (CUL-DE-SAC) STANDARD DETAILS	
			CITY OF OWASSO, OKLAHOMA	
			PUBLIC WORKS DEPARTMENT ENGINEERING DIVISION	
			DATE: 05/05	STANDARD NO. STRT-12