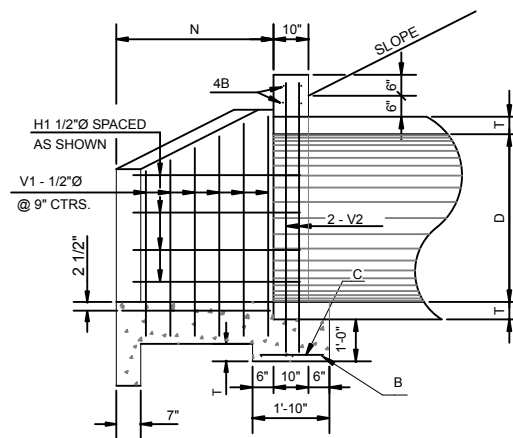
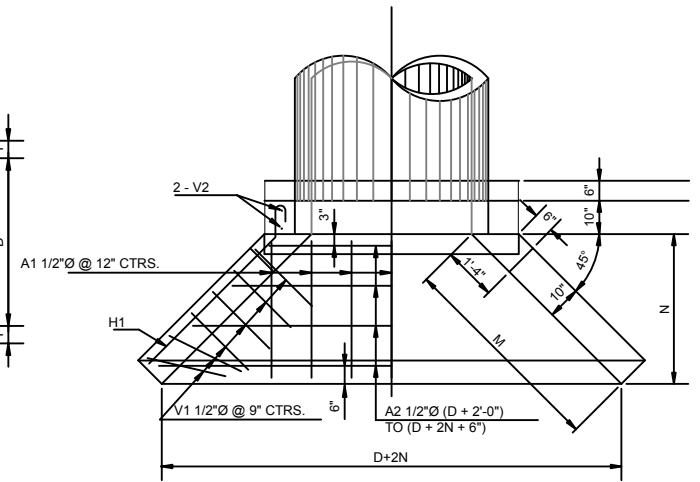


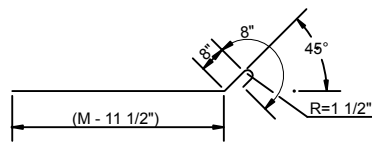
ELEVATION



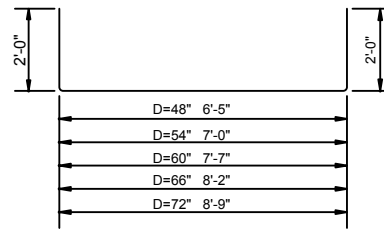
SECTION A-A



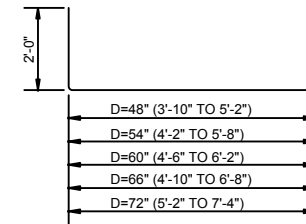
PLAN



BENDING FOR H1 - BARS



BENDING FOR V2 - BARS



BENDING FOR V1 - BARS

DIMENSIONS & QUANTITIES FOR HEADWALLS WITH 45° WINGS																							
DIMENSIONS								REINFORCING STEEL								QUANTITIES *							
D	AREA SQ. FT.	T	H	K	L	M	N	A1 - 1/2"Ø NO.	A1 - 1/2"Ø LGTH.	A2 - 1/2"Ø NO.	A2 - 1/2"Ø LGTH.	B - 1/2"Ø NO.	B - 1/2"Ø LGTH.	C - 1/2"Ø NO.	C - 1/2"Ø LGTH.	H1 - 1/2"Ø NO.	H1 - 1/2"Ø LGTH.	V1 - 1/2"Ø NO.	V1 - 1/2"Ø LGTH.	V2 - 1/2"Ø NO.	V2 - 1/2"Ø LGTH.	CLASS "A" CONC. C.Y.	REINF. STEEL LBS.
48"	12.57	5"	5'-5"	3'-2"	6'-4"	5'-3 1/2"	3'-9"	7	3'-5"	4	9'-0" AV.	7	6'-0"	5	1'-6"	8	5'-8"	12	6'-6" AV.	4	10'-5"	3.81	184
54"	15.90	5 1/2"	5'-11 1/2"	3'-6"	6'-10"	5'-10 1/2"	4'-2"	7	3'-10"	5	9'-11" AV.	7	6'-6"	5	1'-6"	8	6'-3"	14	6'-11" AV.	4	11'-0"	4.54	214
60"	19.63	6"	6'-6"	3'-10"	7'-4"	6'-5 1/2"	4'-7"	8	4'-3"	5	10'-10" AV.	7	7'-0"	6	1'-6"	10	6'-10"	16	7'-4" AV.	4	11'-7"	5.33	253
66"	23.76	6 1/2"	7'-0 1/2"	4'-2"	7'-10"	7'-1"	5'-0"	8	4'-8"	5	11'-9" AV.	7	7'-6"	6	1'-6"	10	7'-5"	18	7'-9" AV.	4	12'-2"	6.20	281
72"	28.27	7"	7'-7"	4'-6"	8'-4"	7'-9 1/2"	5'-6"	9	5'-2"	6	12'-9" AV.	7	8'-0"	6	1'-6"	10	8'-2"	20	8'-3" AV.	4	12'-9"	7.22	325

* FOR ONE HEADWALL

NOTE:
ALL EXPOSED CONCRETE EDGES SHALL HAVE A 3/4" CHAMFER

STANDARD CONCRETE HEADWALLS
FOR
48" TO 72" PIPE

REVISION	BY	DATE	STORM SEWER HEADWALL SHEET II STANDARD DETAILS	
			CITY OF OWASSO, OKLAHOMA	
			PUBLIC WORKS DEPARTMENT ENGINEERING DIVISION	
			DATE: 05/05	STANDARD NO. STRM-13

.1:STANDARD DETAILS/STORM/STRM-13