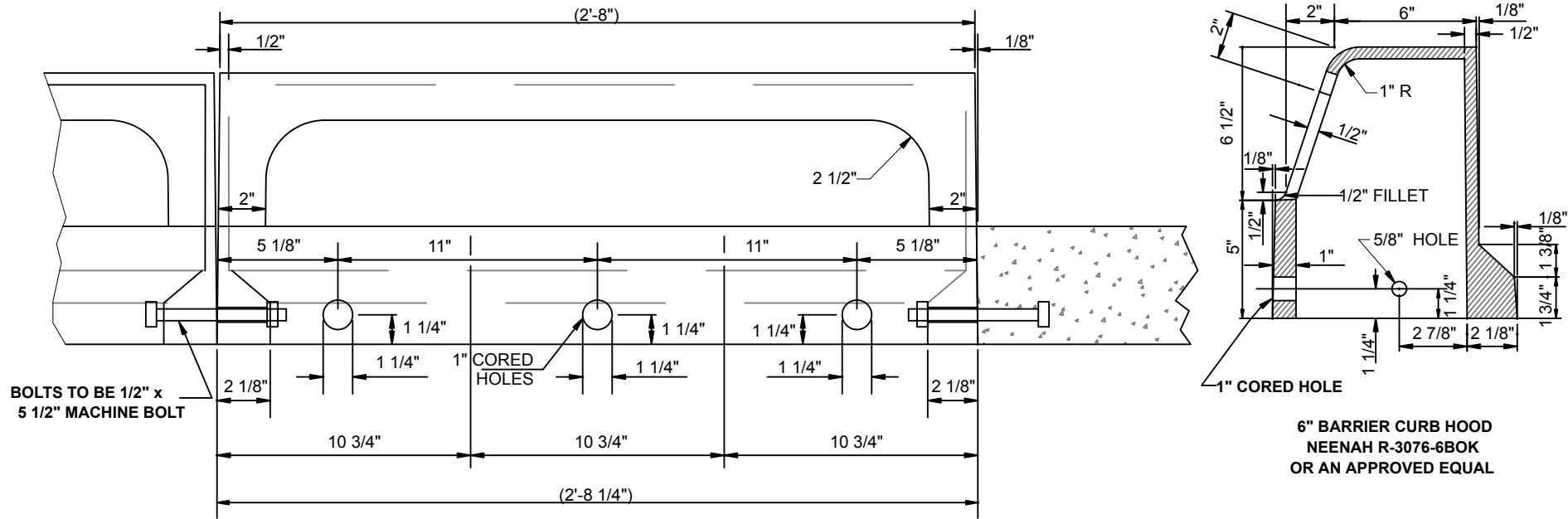
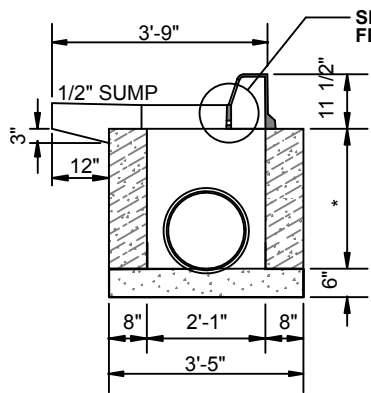


STANDARD DETAILS/STORM/STRM-08

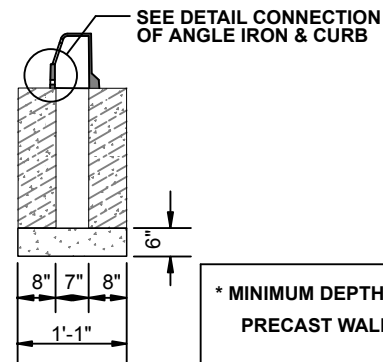


CAST IRON STORM SEWER CURB HOOD
NEENAH R-3076-6BOK
OR AN APPROVED EQUAL



SECTION A-A

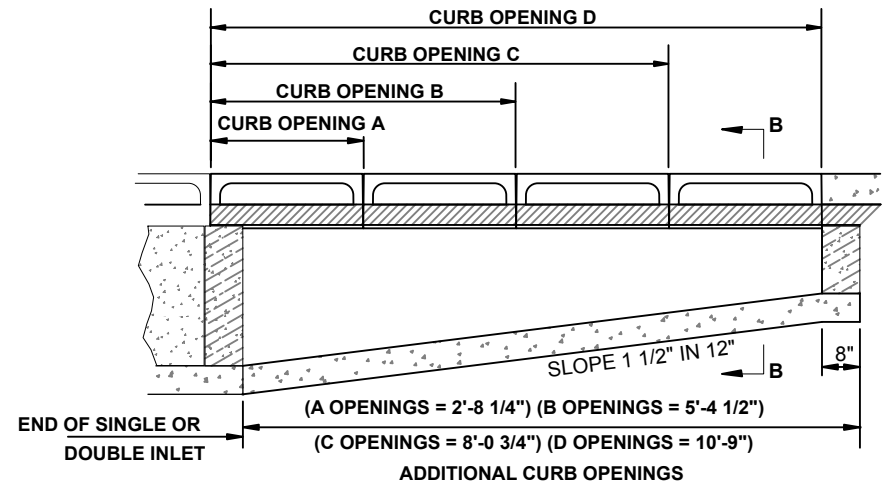
* INLET DIMENSION



SECTION B-B

* MINIMUM DEPTH FOR
PRECAST WALLS

- 1'-11" FOR 15" RCP
- 2'-3" FOR 18" RCP
- 2'-9" FOR 24" RCP
- 3'-3" FOR 30" RCP
- 3'-9" FOR 36" RCP



CURB INLET SHEET II

STANDARD DETAILS

CITY OF OWASSO, OKLAHOMA
PUBLIC WORKS DEPARTMENT
ENGINEERING DIVISION

DATE: 05/05

STANDARD NO. STRM-08

REVISION	BY	DATE