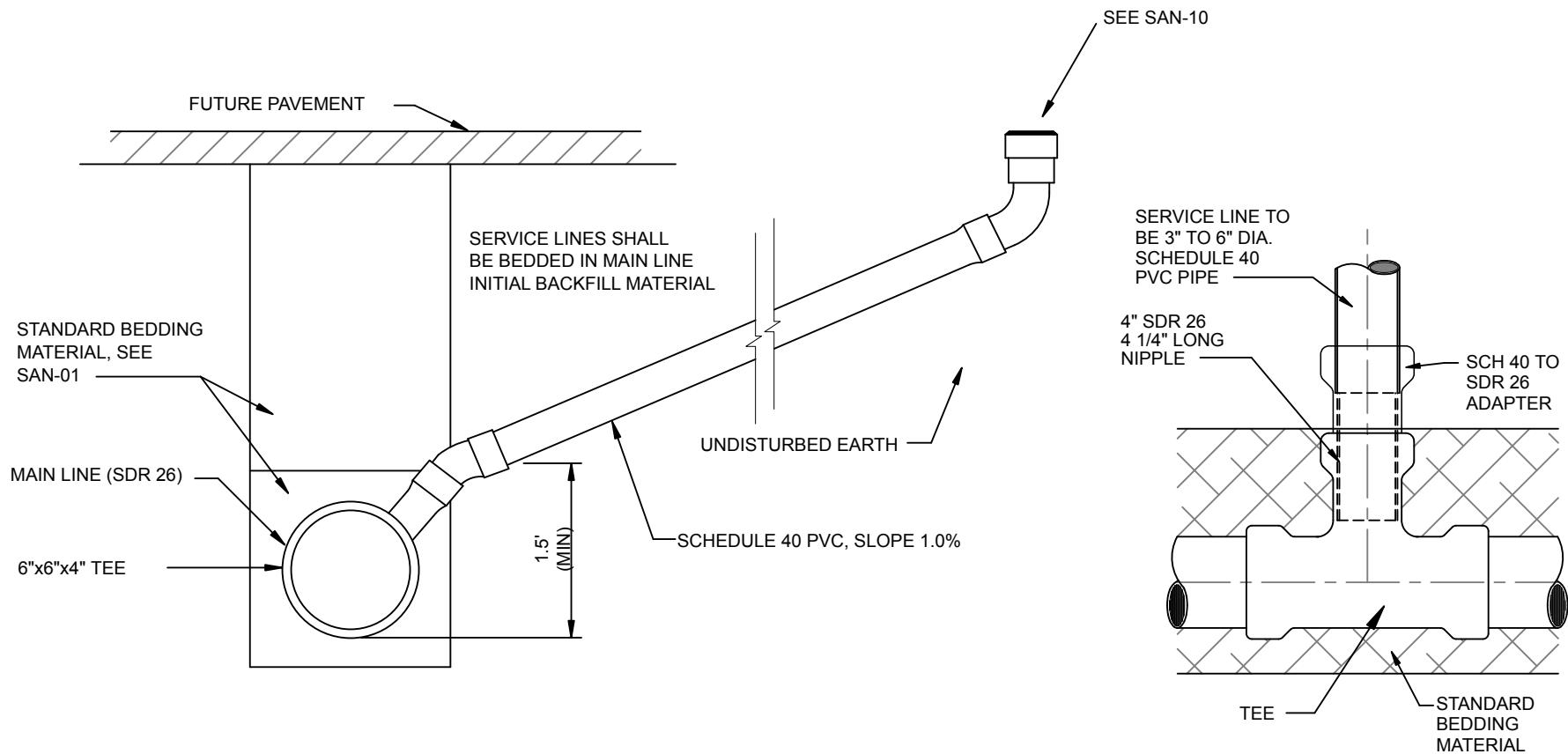


I:\STANDARD DETAILS\SEWER\San-09.dwg



REVISION	BY	DATE	SANITARY SERVICE LINE UNDER PAVEMENT STANDARD DETAILS	
			DATE:	STANDARD NO.
			05/05	SAN-09