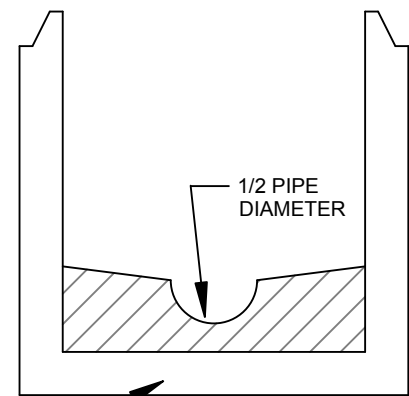
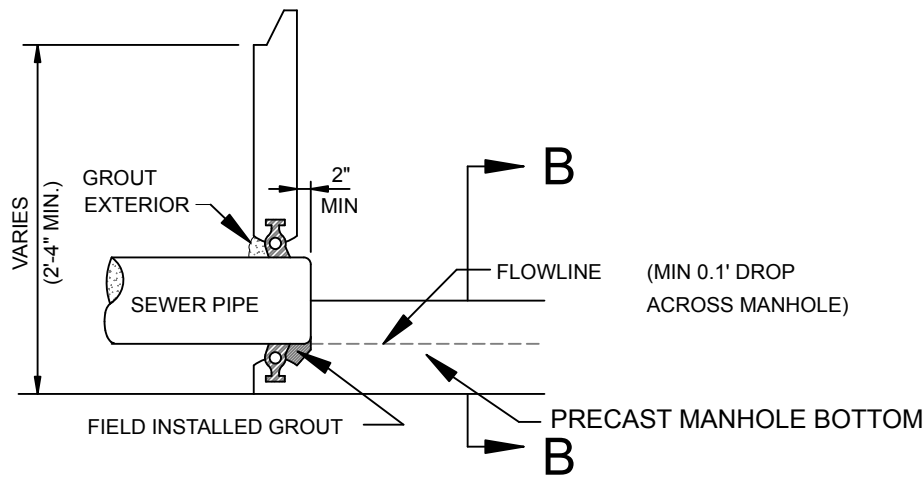


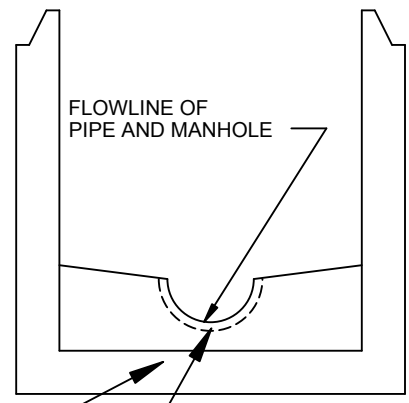
**TYPE A MANHOLE**



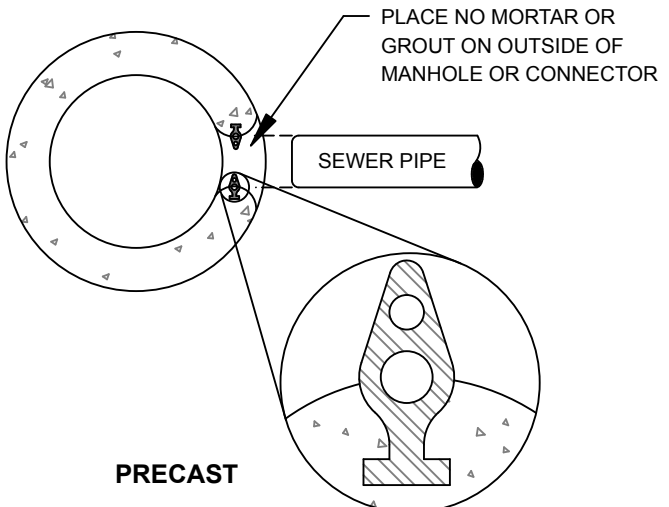
**SECTION A-A**



**TYPE B MANHOLE**

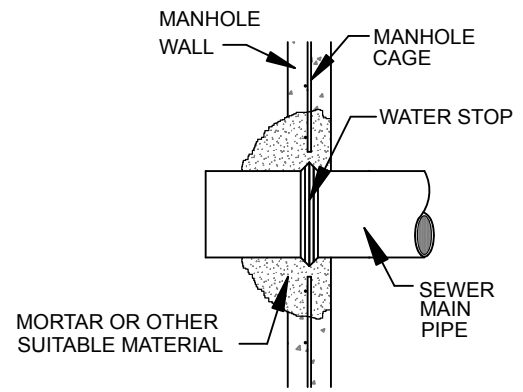


**SECTION B-B**



**PRECAST**

**ENLARGED VIEW**



**INSTALLED IN FIELD**

REVISION	BY	DATE

<b>SANITARY SEWER MANHOLE PIPE CONNECTOR STANDARD DETAILS</b>	
CITY OF OWASSO, OKLAHOMA	
PUBLIC WORKS DEPARTMENT ENGINEERING DIVISION	
DATE:	STANDARD NO.
05/05	SAN-07